



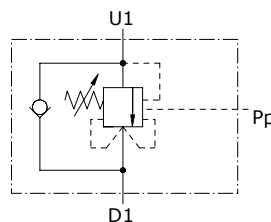
## Type VOSLP/SC/CC counterbalance valves

- Single acting
- Relief compensated

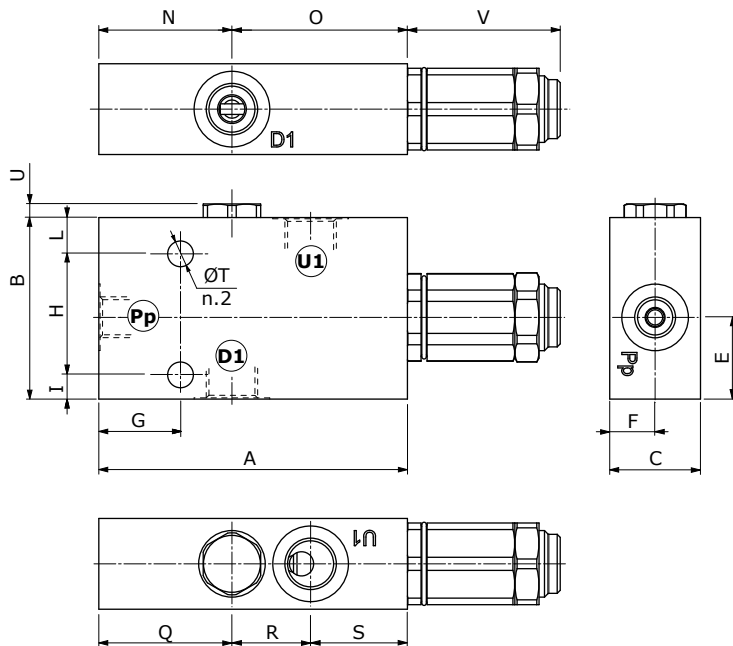
Technical specifications and diagrams are measured with mineral oil of 46 cSt viscosity at 40°C (104°F) temperature.

|  | <b>VOSLP/SC/CC 38</b>  | <b>VOSLP/SC/CC 12</b>     | <b>VOSLP/SC/CC 34</b>      | <b>VOSLP/SC/CC 100</b>     |                   |
|--|--|---------------------------|----------------------------|----------------------------|-------------------|
| Nominal flow                               | 40 l/min<br>(10.6 US gpm)  | 75 l/min<br>(19.8 US gpm) | 120 l/min<br>(31.7 US gpm) | 180 l/min<br>(47.6 US gpm) |                   |
| Max. pressure                              | Aluminium body = 210 bar (3050 psi)<br>Steel body = 350 bar (5100 psi)   |                           |                            |                            |                   |
| Oil leakage                                | 0.25 cm <sup>3</sup> /min - 0.015 in <sup>3</sup> /min. (5 drops) at 210 bar - 3050 psi at 80% of pressure setting |                           |                            |                            |                   |
| Fluid                                      | mineral based oil  |                           |                            |                            |                   |
| Viscosity                                  | from 10 to 200 cSt   |                           |                            |                            |                   |
| Max. level of contamination                | 18/16/13 ISO4406   |                           |                            |                            |                   |
| Fluid temperature                          | with NBR seals from -20°C (-4°F) to 80°C (176°F)   |                           |                            |                            |                   |
| Environmental temp. for working conditions | from -40°C (-40°F) to 100°C (212°F)  |                           |                            |                            |                   |
| Weight                                     | aluminium  | 0.82 kg (1.81 lb)         | 1.10 kg (2.43 lb)          | 1.45 kg (3.20 lb)          | 2.78 kg (6.13 lb) |
|  | steel  | 1.93 kg (4.25 lb)         | 2.20 kg (485 lb)           | 3.24 kg (7.14 lb)          | 6.64 kg (14.6 lb) |

NOTE - For different conditions, please contact Walvoil Sales Dpt.



### Dimensions



| Valve type      | D1   | U1   | Pp |
|-----------------|------|------|----|
| VOSLP/SC/CC 38  | G3/8 | G1/4 |    |
| VOSLP/SC/CC 12  | G1/2 | G1/4 |    |
| VOSLP/SC/CC 34  | G3/4 | G1/4 |    |
| VOSLP/SC/CC 100 | G1"  | G1/4 |    |

Dimensions are in mm-in

| Valve type      | A    | B    | C    | E    | F    | G    | H    | I     | L     | N    | O    | Q    | R    | S    | ØT    | V    |
|-----------------|------|------|------|------|------|------|------|-------|-------|------|------|------|------|------|-------|------|
| VOSLP/SC/CC 38  | 102  | 60   | 30   | 27   | 15   | 27   | 40   | 8     | 12    | 44   | 58   | 44   | 26   | 32   | 8.5   | 50.5 |
|                 | 4.02 | 2.36 | 1.18 | 1.06 | 0.59 | 1.06 | 1.57 | 0.315 | 0.472 | 1.73 | 2.28 | 1.73 | 1.02 | 1.26 | 0.335 | 1.99 |
| VOSLP/SC/CC 12  | 110  | 70   | 35   | 31   | 17.5 | 30   | 48   | 8     | 14    | 50   | 60   | 50   | 28   | 32   | 8.5   | 50.5 |
|                 | 4.33 | 2.76 | 1.38 | 1.22 | 0.69 | 1.18 | 1.89 | 0.315 | 0.551 | 1.97 | 2.36 | 1.97 | 1.10 | 1.26 | 0.335 | 1.99 |
| VOSLP/SC/CC 34  | 123  | 90   | 40   | 36   | 20   | 31   | 70   | 10    | 10    | 55   | 68   | 55   | 34   | 34   | 10.5  | 50.5 |
|                 | 4.84 | 3.54 | 1.57 | 1.42 | 0.78 | 1.22 | 2.76 | 0.394 | 0.394 | 2.17 | 2.68 | 2.17 | 1.34 | 1.34 | 0.413 | 1.99 |
| VOSLP/SC/CC 100 | 153  | 100  | 30   | 38   | 30   | 37   | 80   | 10    | 10    | 70   | 83   | 70   | 48   | 35   | 10.5  | 50.5 |
|                 | 6.02 | 3.94 | 1.18 | 1.38 | 1.18 | 1.46 | 3.15 | 0.394 | 0.394 | 2.76 | 3.27 | 2.76 | 1.89 | 1.38 | 0.413 | 1.99 |

### Ordering codes

#### VOSLP/SC/CC complete valves

TYPE: **VOSLP/SC/CC 38/TR.S.p4.PG** CODE: 1545021102  
 DESCRIPTION: Aluminium body, G3/8 ports, pilot ratio 1:4, range 50-350 bar (725-5075 psi), std setting 280 bar (4060 psi) @ 5 l/min (1.32 US gpm)

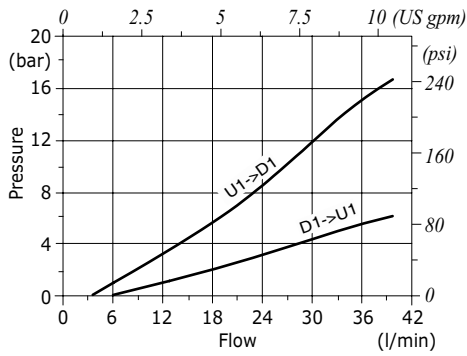
TYPE: **VOSLP/SC/CC 12/TR.S.p7.PG** CODE: 1545031102  
 DESCRIPTION: Aluminium body, G1/2 ports, pilot ratio 1:7, range 50-350 bar (725-5075 psi), std setting 280 bar (4060 psi) @ 5 l/min (1.32 US gpm)

TYPE: **VOSLP/SC/CC 34/TR.S.p7.PG** CODE: 1545041102  
 DESCRIPTION: Aluminium body, G3/4 ports, pilot ratio 1:7, range 50-350 bar (725-5075 psi), std setting 280 bar (4060 psi) @ 5 l/min (1.32 US gpm)

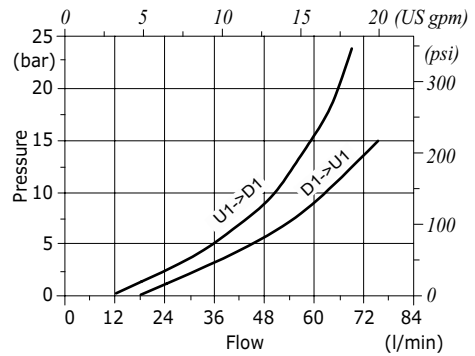
TYPE: **VOSLP/SC/CC 100/TR.S.p7.PG** CODE: 1545051102  
 DESCRIPTION: Aluminium body, G1" ports, pilot ratio 1:7, range 50-350 bar (725-5075 psi), std setting 280 bar (4060 psi) @ 5 l/min (1.32 US gpm)

For other configurations and steel body, please contact our Sales Dept.

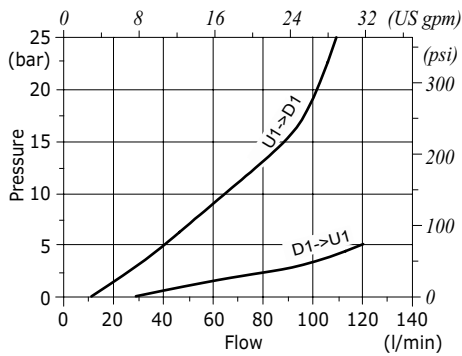
**VOSLP/SC/CC 38 pressure drop vs. flow from D1->U1 and U1->D1**



**VOSLP/SC/CC 12 pressure drop vs. flow from D1->U1 and U1->D1**



**VOSLP/SC/CC 34 pressure drop vs. flow from D1->U1 and U1->D1**



**VOSLP/SC/CC 100 pressure drop vs. flow from D1->U1 and U1->D1**

